

DC Meter Shunts 50A to 15000A

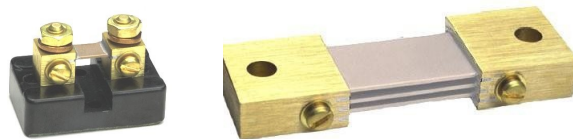


Term. W is RoHS compliant & 260°C process compatible



RESISTORS • CAPACITORS • COILS • DELAY LINES

- ❑ Low cost and broad selection! Nearly 100 models of standard and mini-shunts available (most popular models listed below). Custom models are our specialty: 10μΩ to 10mΩ, 10mV to 1V, up to 15KAmp
- ❑ Standard models are 50 to 5000 Amp, 50mV & 100mV
- ❑ Available on **SWIFT™** delivery program
- ❑ Heavy duty brass terminal blocks
- ❑ Low TC and low thermal EMF Manganin element
- ❑ Uniform current distribution
- ❑ Stamped with current and voltage



RCD Type	Drop	Rating	Fig.	Dim. A	Dim. B	Dim. C
SPM5050	50mV	50A	1	1.18 [30]	4.72 [120]	5.12 [130]
SPM5060	50mV	60A	1	1.18 [30]	4.72 [120]	5.12 [130]
SPM5075	50mV	75A	1	1.18 [30]	4.72 [120]	5.12 [130]
SVM5050	50mV	50A	2	0.80 [20]	3.15 [80]	3.94 [100]
SVM5060	50mV	60A	2	0.80 [20]	3.15 [80]	3.94 [100]
SVM5075	50mV	75A	2	0.80 [20]	3.15 [80]	3.94 [100]
SVM50100	50mV	100A	2	1.17 [30]	3.15 [80]	3.94 [100]
SVM50150	50mV	150A	2	1.17 [30]	3.15 [80]	3.94 [100]
SVM50200	50mV	200A	2	1.17 [30]	3.15 [80]	3.94 [100]
SVM100300	100mV	300A	3	1.00 [25.4]	4.13 [105]	5.24 [133]
SVM100500	100mV	500A	3	1.75 [44.5]	4.13 [105]	5.24 [133]
SHM50300	50mV	300A	4	1.00 [25.4]	3.54 [90]	4.65 [118]
SHM50400	50mV	400A	4	1.34 [34]	3.54 [90]	4.65 [118]
SHM50500	50mV	500A	4	1.73 [44]	3.54 [90]	4.65 [118]
SHM50600	50mV	600A	4	2.12 [54]	3.54 [90]	4.65 [118]
SHM50800	50mV	800A	5	2.91 [74]	3.54 [90]	4.65 [118]
SHM501000	50mV	1000A	5	3.46 [88]	3.54 [90]	4.65 [118]
SHM501500	50mV	1500A	5	3.15 [80]	5.90 [150]	7.09 [180]
SHM502000	50mV	2000A	5	3.15 [80]	5.90 [150]	7.09 [180]
SHM503000	50mV	3000A	5	6.30 [160]	5.90 [150]	7.09 [180]
SHM504000	50mV	4000A	5	6.30 [160]	5.90 [150]	7.09 [180]
SHM505000	50mV	5000A	5	7.87 [200]	5.90 [150]	7.87 [200]

Typical Performance

Accuracy: 0.5% Std, 0.25% available

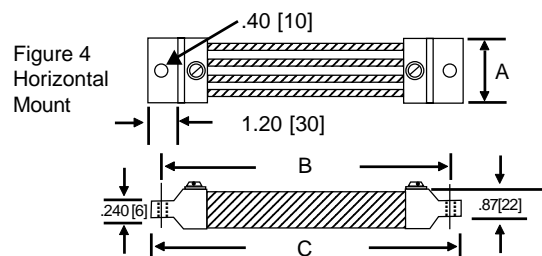
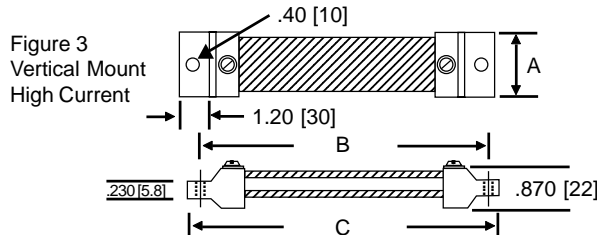
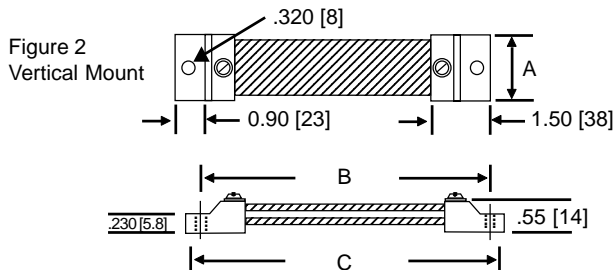
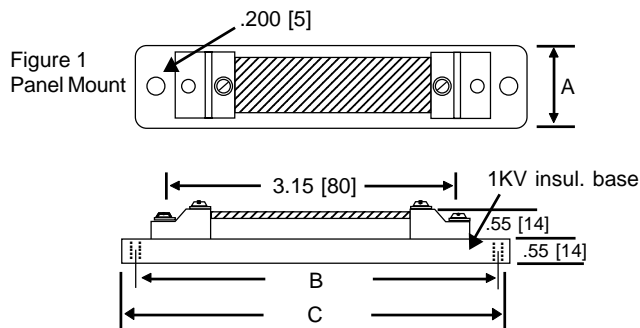
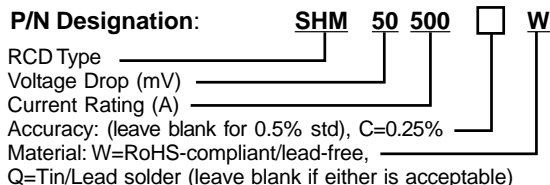
TCR: 15ppm/°C

Dielectric Strength (Fig.1 only): base panel = 1KV

Application Notes:

- 1) For reduced temperature rise, mount units with multiple resistance blades in vertical position so that the heat rises between the blades.
- 2) Number of resistance blades shown is for illustration purposes only. Actual parts may have more or less blades depending on current rating and voltage drop.
- 3) Hot spot of shunt should be maintained below 100°C via use of suitable bus bar size, positioning, and air flow. The parts should never be allowed to exceed 145°C as this would cause permanent resistance shift.
- 4) Shunts may be connected in parallel for increased current capacity (requires separate pair of millivolt leads connecting each shunt to the instrument terminals).

P/N Designation:



4 mounting holes, 0.40 [10] dia. on 800A & 1KA
 4 mounting holes, 0.47 [12] dia. on 1500A & 2KA
 6 mounting holes, 0.47 [12] dia. on 3KA & 4KA
 8 mounting holes, 0.63 [16] dia. on 5KA

